

HEAD TYPE TEMPERATURE SENSOR

Model : HRT

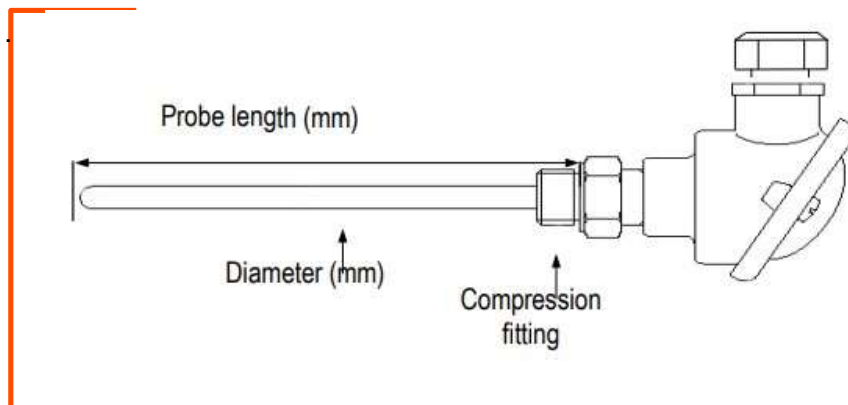
Resistance Temperature Sensor (RTD) with Fitting Head

SPECIFICATION

Operating Temperature : From -50 °C to +400 °C
Types : Pt-100 & Pt-1000
Accuracy : Class A & Class B
Sensor Type : Pt-100 or Pt-1000
Storage temperature : -20 °C to +80 °C
Thread : with or without
1/4", 3/8", 1/2", BSP & NPT plug(fixed, Adjustable)
(other thread on request)
Electrical connection : with or without terminal block
Transmitter : 4-20mA (Optional)
Head : .Aluminium alloy, FLP Head
M.O.C : SS304/ SS316L/SS310



DIAMENSTION



Temp. Transmitter

www.cpitpl.com

CARE

CPI TECHNOLOGY PVT. LTD

Phone: 7575808287/88/89 | Email: info@carepg.com

HEAD TYPE TEMPERATURE SENSOR

Model : HRT

Selection Guide

HRT-1A6-300-S6-12BA-WP-TT-0/300

Types	Accuracy	Tube OD	Tube Length	Tube MOC	Cable	Cable	Connection	Conn, Type	head	Transmitter	Range
1-Pt100,3w	A	Ø4	L (MM)	S4- SS 304	T-T/T	L (MTR.)	0- No	F-Fix	WP	0- NO	Specify Range Required
2-Pt100,6w	B	Ø6		S6- SS 316	TS-T/T/SS		14B- 1/4" BSP	A-Adjustable	FLP	TT- YES	
3-Pt1000,3w		Ø8		M1- MI			14N- 1/4" NPT		SS		
4-Pt1000,6w		Ø10					12B - 1/2" BSP				
		*					12N- 1/2" NPT				
							38B- 3/8" BSP				
					38N- 3/8" NPT						
					TC- Triclover						

Note : if required 4-20mA, Pls. Add TT

Applications

- Tyre Industry
- Aluminum Industry
- Automotive sector
- Induction heating
- Food Equipment
- Process Industry
- Chemical Chambers
- Oil temperature measurement
- Water temperature measurement

www.cpitpl.com

CARE

CPI TECHNOLOGY PVT. LTD

Phone: 7575808287/88/89 | Email: info@carepg.com