

TUBULAR Level Indicator

Model : TLI

Overview

When the liquid level rises in the tank, the liquid also rises inside the glass tube carrying a graduated scale. The liquid level in the tank can be conveniently read against the scale. High quality Borosilicate glass tube with clear visibility.

FEATURES

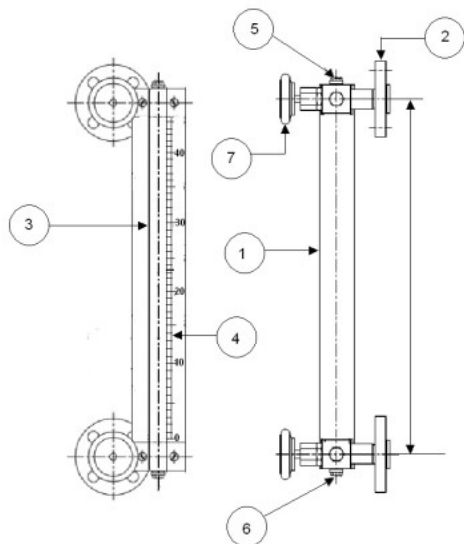
- Simple Operation
- Clear Visibility
- Easy Installation
- Rugged Construction

SPECIFICATION

Material of All	: MS, SS 304, SS 316, SS 316L
Wetted Part	: MS, SS 304, SS 316, SS 316L, PP, PTFE
Max. Temperature	: Up to 150°C
Max. Pressure	: 10 Bar
Connection	: Flanges/ Screwed/ or Others
Glass tube & OD	: Borosilicate, 16/19/22mm
Vent & Drain	: Plug /Valve
Mounting	: Side, rear, Top & Bottom
Scale	: Aluminum, SS, Acrylic



CONSTRUCTION



1. 'C' Frame
2. Flange
3. Glass tube
4. Scale
5. Vent Plug
6. Drain Plug
7. Isolation Valve

www.cpitpl.com

CARE

CPI TECHNOLOGY PVT. LTD

Phone: 7575808287/88/89 | Email: info@carepg.com



TUBULAR Level Indicator

Model : TLI

Selection Guide

TLI-1F-M2-5M-VP

Process Connection		MOC		C/C Distance in MM		Accessories	
1F	1"ASA 150# RF Flange	M1	MS Power Coated	3M	300	VP	Vent Plug
1.5F	1.5" ASA 150# RF Flange	M2	MS with SS Wetted Part	5M	500	DP	Drain Plug
2F	2" ASA150# RF Flange	M3	SS 304	10M	1000	IV	Isolation Valve
2.5F	2.5" ASA 150# RF Flange	M4	PP	15M	1500	DV	Drain Valve
	*		*		*	ID	Isolation+Drain Valve

www.cpitpl.com



CPI TECHNOLOGY PVT. LTD

Phone: 7575808287/88/89 | Email: info@carepg.com