



DRY BLOCK TEMPERATURE BATH

Model : TB-600

Application

Ideal for Calibration of temperature sensors such as thermocouples, RTD, Temperature Gauges, Switches, Transmitters including other most commonly used temperature sensing instruments and devices.

Features

Dry Block, Fast Heating and Cooling.
Good Stability. Light Weight , Easy to carry

Specification

No. of heater : 4 No. 120mm
 Block Immersion : Insertion
 Pocket Diameter : 30 mm Insertion
 No. of Pocket : 3 Pockets with different holes 2.6 to 13mm Dia.
 Switch Test facility : 230 V AC
 Resolution : 0.1 °C
 Unit : °C
 Power Supply : 230V AC, 50Hz, 1.2KW
 Dimension : 155x330x240mm (W x D x H)
 Weight : Approx. 9.0 Kg



Model	Range @23°C	Accuracy	Stability	Stabilisation Time	Uniformity	Heating Time	Cooling Time
TB-600	Amb. to 600 °C	0.5°C	±0.2°C	15 Min	0.2°C	Amb. to 600 °C	600 to 100°C
						30 Min.	40 Min.

www.cpitpl.com



CPI TECHNOLOGY PVT.LTD.

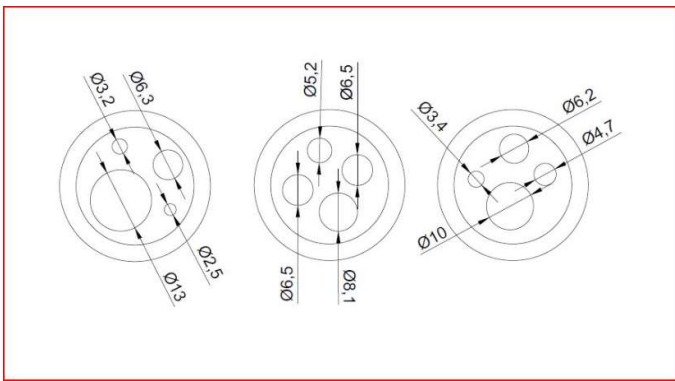
Phone: 7575808287/88/89 | Email: info@carepg.com



DRY BLOCK TEMPERATURE BATH

Model : TB-600

Dimension of Well



Standard Delivery

- Instrument-----1 No.
- Power Cable-----1 No.
- Carrying Bag-----1 No.
- Insertion Tube-----3 Nos.
- Insertion Tool-----1 No.
- User Manual-----1No.
- Pouch for Tool-----1 No.
- Calibration Certificate, Traceable

Optional:

- Multi hole insertion tube, Customize
- NABL Certificate
- Hard Case

www.cpitpl.com

CARE

CPI TECHNOLOGY PVT.LTD.

Phone: 7575808287/88/89 | Email: info@carepg.com