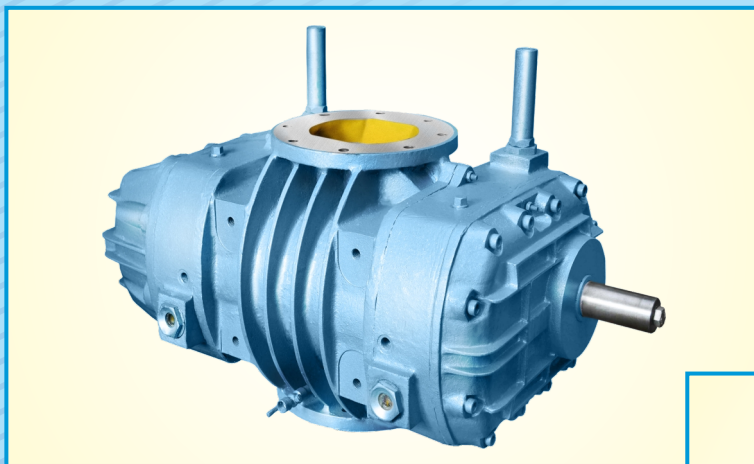
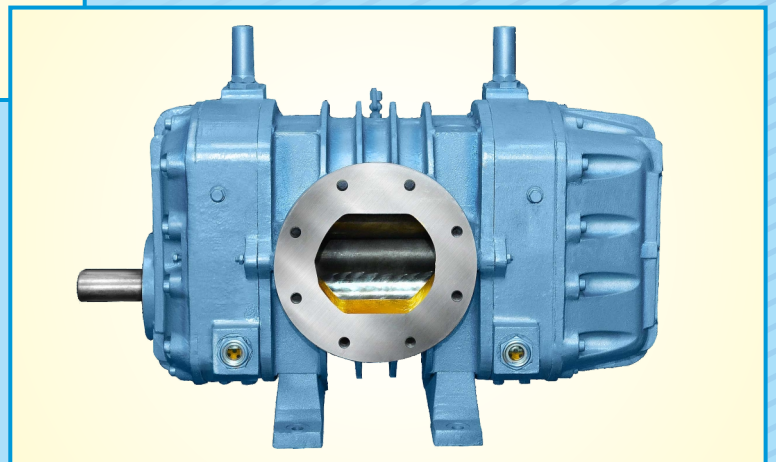


## Twin Lobe Air Cooled Compressors (Roots Blower)

*One Stop Solution for High Quality Blower Systems*



VERTICAL FLOW



HORIZONTAL FLOW

## Positive Displacement Blowers

For Air Intake Capacity upto 10000 M<sup>3</sup>/Hr. &  
Pressure upto 1 kg/cm<sup>2</sup>





# Technical Data



MACHINE TYPE	P1 mbar		100		200		300		400		500		600		700		800		900	
	M/C RPM	MOTOR RPM	M3/Hr.	BKw	M3/Hr.	BKw	M3/Hr.	BKw	M3/Hr.	BKw	M3/Hr.	BKw	M3/Hr.	BKw	M3/Hr.	BKw	M3/Hr.	BKw	M3/Hr.	BKw
BVS-100	1196	1450	72	0.32	57	0.65	46	0.97	36	1.29	28	1.61	-	-	-	-	-	-	-	-
	1368	1450	89	0.37	73	0.74	62	1.11	52	1.47	44	1.84	-	-	-	-	-	-	-	-
	1610	1450	111	0.44	96	0.87	85	1.30	75	1.73	67	2.17	60	2.60	-	-	-	-	-	-
	1933	1450	142	0.52	127	1.04	115	1.56	106	2.08	97	2.60	90	3.12	83	3.64	-	-	-	-
	2239	2900	171	0.60	155	1.21	144	1.81	134	2.41	126	3.01	119	3.61	112	4.22	106	4.82	-	-
	2549	2900	200	0.69	185	1.37	173	2.06	164	2.74	155	3.43	148	4.11	141	4.80	135	5.49	129	6.17
	2900	2900	233	0.78	218	1.56	206	2.34	197	3.12	188	3.90	181	4.68	174	5.46	168	6.24	162	7.02
BVS-120	1073	965	113	0.47	93	0.93	78	1.40	66	1.86	55	2.33	45	2.80	-	-	-	-	-	-
	1368	1450	157	0.60	138	1.19	123	1.78	111	2.38	100	2.97	90	3.56	81	4.16	-	-	-	-
	1610	1450	194	0.70	174	1.40	160	2.10	147	2.80	136	3.49	126	4.19	117	4.89	109	5.59	-	-
	1933	1450	243	0.84	223	1.68	208	2.52	196	3.36	185	4.20	175	5.03	166	5.87	158	6.71	150	7.55
	2239	2900	289	0.97	269	1.95	255	2.92	242	3.89	231	4.86	221	5.83	212	6.80	204	7.77	196	8.74
	2549	2900	336	1.11	316	2.21	301	3.32	289	4.43	278	5.53	268	6.64	259	7.74	251	8.85	243	9.95
	2900	2900	389	1.26	369	2.52	354	3.78	342	5.03	331	6.29	321	7.55	312	8.81	304	10.10	296	11.40
BVS-140	1196	1450	191	0.71	168	1.41	151	2.12	136	2.83	122	3.53	110	4.24	99	4.94	-	-	-	-
	1368	1450	227	0.81	204	1.62	186	2.42	171	3.23	158	4.04	146	4.84	135	5.65	125	6.46	-	-
	1610	1450	277	0.95	254	1.90	236	2.85	221	3.80	208	4.75	196	5.70	185	6.65	174	7.60	165	8.55
	1933	1450	343	1.14	320	2.28	302	3.42	287	4.56	274	5.70	262	6.84	251	7.98	241	9.13	231	10.30
	2239	2900	406	1.32	383	2.64	365	3.97	350	5.29	337	6.61	325	7.93	314	9.25	304	10.60	294	11.90
	2549	2900	470	1.51	447	3.01	429	4.51	414	6.02	401	7.52	389	9.02	378	10.60	368	12.10	358	13.60
	2900	2900	542	1.71	519	3.42	502	5.14	487	6.85	473	8.56	461	10.30	450	12.00	440	13.70	431	15.40
BVS-160	1073	965	272	0.98	242	1.96	219	2.94	199	3.91	182	4.89	166	5.87	151	6.85	-	-	-	-
	1275	1450	336	1.17	306	2.33	283	3.49	263	4.65	246	5.81	230	6.98	216	8.14	202	9.30	-	-
	1450	1450	392	1.32	362	2.65	339	3.97	319	5.29	302	6.61	286	7.93	271	9.25	258	10.60	245	11.90
	1810	1450	506	1.65	476	3.30	453	4.95	434	6.60	416	8.25	400	9.90	386	11.60	372	13.20	359	14.90
	2127	1450	607	1.94	577	3.88	554	5.82	534	7.76	517	9.70	501	11.70	487	13.60	473	15.50	460	17.50
	2391	2900	691	2.18	661	4.36	638	6.54	618	8.72	601	10.90	585	13.10	570	15.30	557	17.50	544	19.60
	2732	2900	800	2.49	770	4.98	746	7.47	727	9.96	709	12.50	694	15.00	679	17.50	665	19.90	652	22.40
BVS-190	916	965	361	1.27	323	2.55	292	3.82	266	5.09	243	6.36	221	7.63	202	8.90	-	-	-	-
	1078	965	440	1.50	401	3.00	371	4.49	345	5.91	321	7.48	300	8.98	280	10.50	262	12.10	-	-
	1375	1450	584	1.91	546	3.82	515	5.73	489	7.64	466	9.54	444	11.50	425	13.40	406	15.30	389	17.20
	1620	1450	703	2.25	665	4.50	634	6.75	608	9.00	585	11.30	563	13.50	544	15.80	525	18.00	508	20.30
	1825	1450	803	2.54	764	5.07	734	7.60	708	10.20	684	12.70	663	15.20	643	17.80	625	20.30	607	22.80
	2071	1450	923	2.88	884	5.75	853	8.63	827	11.50	804	14.40	783	17.30	763	20.10	744	23.00	727	25.90
	2320	2900	1044	3.22	1005	6.44	974	9.66	948	12.90	925	16.10	904	19.30	884	22.60	865	25.80	848	29.00
BVS-200	920	980	415	1.50	370	2.95	336	4.45	306	5.95	280	7.45	255	8.92	232	10.41	-	-	-	-
	1080	980	506	1.75	461	3.51	426	5.25	396	6.91	369	8.75	345	10.50	322	12.23	301	14.16	-	-
	1375	1450	670	2.25	628	4.47	592	6.70	562	8.94	536	11.16	510	13.46	488	15.68	467	17.90	447	20.12
	1450	1450	715	2.38	670	4.75	635	7.13	603	9.50	575	11.92	550	14.30	530	16.65	509	19.00	485	21.04
	1620	1450	810	2.63	765	5.27	730	7.90	699	10.53	672	13.22	647	15.80	625	18.49	603	21.10	584	23.75
	1825	1450	925	3.00	879	5.93	844	8.89	814	11.93	786	14.86	762	17.78	739	20.83	718	23.75	698	26.68
	2070	1450	1060	3.36	1016	6.73	980	10.10	951	13.46	925	16.85	900	20.24	877	23.52	855	26.91	836	30.30
BVS-220	930	980	640	2.14	587	4.27	545	6.40	508	8.54	475	10.70	445	12.80	417	15.00	390	17.10	-	-
	1095	980	772	2.51	719	5.03	677	7.54	641	10.10	608	12.60	577	15.10	549	17.60	523	20.10	-	-
	1300	1450	937	2.98	884	5.97	842	8.95	805	12.00	772	14.90	742	17.90	714	20.90	687	23.90	662	26.90
	1450	1450	1057	3.33	1004	6.65	962	9.98	926	13.30	893	16.70	863	20.00	834	23.30	808	26.60	783	30.00
	1625	1450	1198	3.73	1145	7.46	1103	11.20	1066	14.90	1033	18.70	1003	22.40	975	26.10	948	29.80	923	33.60
	1825	1450	1358	4.19	1306	8.37	1263	12.60	1227	16.80	1194	21.00	1164	25.10	1136	29.30	1109	33.50	1084	37.70
	2035	1450	1527	4.67	1474	9.34	1432	14.00	1395	18.70	1362	23.40	1332	28.00	1304	32.70	1278	37.40	1253	42.00

P1 Pressure Differential in mbar (100 mbar = 1020 mm wg)

MACHINE TYPE	P1 mbar		100		200		300		400		500		600		700		800		900	
	M/C	MOTOR	M3/Hr.	BKw	M3/Hr.	BKw	M3/Hr.	BKw	M3/Hr.	BKw	M3/Hr.	BKw	M3/Hr.	BKw	M3/Hr.	BKw	M3/Hr.	BKw	M3/Hr.	BKw
BVS-240	930	980	736	2.50	675	5.00	627	7.49	584	10.00	546	12.52	512	14.98	480	17.55	448	20.00	-	-
	1095	980	888	2.94	827	5.89	779	8.82	737	11.82	699	14.74	664	17.67	631	20.59	601	23.52	-	-
	1300	1450	1078	3.49	1017	6.98	968	10.47	925	14.04	888	17.43	853	20.94	821	24.45	790	27.96	761	31.47
	1450	1450	1215	3.90	1155	7.78	1106	11.68	1065	15.56	1027	19.54	992	23.40	959	27.26	929	31.12	900	35.10
	1625	1450	1378	4.36	1317	8.73	1268	13.10	1226	17.43	1188	21.88	1153	26.21	1121	30.54	1090	34.87	1061	39.31
	1825	1450	1562	4.90	1502	9.80	1452	14.74	1411	19.66	1373	24.57	1339	29.37	1306	34.28	1275	39.20	1247	44.11
	2035	1450	1756	5.46	1695	10.93	1647	16.38	1604	21.88	1566	27.38	1532	32.76	1500	38.26	1470	43.76	1440	49.14
BVS-260	875	965	970	3.20	900	6.39	845	9.59	797	12.80	755	16.00	716	19.20	680	22.40	647	25.60	615	28.80
	980	965	1104	3.58	1034	7.16	979	10.80	931	14.30	889	17.90	850	21.50	814	25.10	781	28.70	749	32.20
	1095	1450	1250	4.00	1181	8.00	1126	12.00	1078	16.00	1036	20.00	997	24.00	961	28.00	927	32.00	895	36.00
	1230	1450	1423	4.49	1353	8.99	1298	13.50	1250	18.00	1208	22.50	1169	27.00	1133	31.50	1100	36.00	1068	40.50
	1375	1450	1608	5.02	1538	10.10	1483	15.10	1435	20.10	1393	25.10	1354	30.20	1318	35.20	1285	40.20	1253	45.20
	1535	1450	1812	5.61	1742	11.20	1687	16.80	1640	22.50	1597	28.10	1559	33.70	1522	39.30	1489	44.90	1457	50.50
	1720	1450	2048	6.28	1978	12.60	1923	18.90	1876	25.20	1833	31.40	1795	37.70	1759	44.00	1725	50.30	1693	56.60
BVS-300	716	965	1289	4.28	1199	8.56	1129	12.90	1069	17.10	1015	21.40	967	26.70	922	30.00	879	34.30	-	-
	807	965	1479	4.83	1389	9.65	1318	14.50	1258	19.30	1205	24.10	1156	29.00	1111	33.80	1069	38.60	-	-
	909	965	1691	5.44	1601	10.90	1530	16.30	1470	21.80	1417	27.20	1368	32.60	1323	38.10	1281	43.50	1241	48.90
	1024	965	1930	6.12	1840	12.30	1770	18.40	1710	24.50	1656	30.60	1607	36.80	1562	42.90	1520	49.00	1481	55.10
	1155	1450	2203	6.91	2113	13.80	2042	20.70	1982	27.60	1929	34.60	1880	41.50	1835	48.40	1793	55.30	1753	62.20
	1287	1450	2478	7.70	2387	15.40	2317	23.10	2257	30.80	2203	38.50	2155	46.20	2110	53.90	2068	61.60	2028	69.30
	1450	1450	2817	8.67	2727	17.40	2656	26.00	2596	34.70	2543	43.40	2494	52.00	2449	60.70	2407	69.40	2367	78.00
BVS-360	716	965	2311	7.43	2181	14.90	2079	22.30	1992	29.70	1914	37.10	1843	44.60	1777	52.00	1716	59.40	1657	66.80
	807	965	2640	8.37	2511	16.80	2409	25.10	2321	33.50	2244	41.90	2173	50.20	2107	58.60	2045	67.00	1987	75.30
	909	965	3010	9.43	2880	18.90	2778	28.30	2691	37.70	2613	47.10	2542	56.60	2476	66.00	2414	75.40	2356	84.80
	1024	965	3426	10.60	3296	21.30	3194	31.90	3107	42.50	3029	53.10	2958	63.70	2892	74.30	2831	84.90	2773	95.60
	1155	1450	3900	12.00	3771	24.00	3669	35.90	3581	47.90	3504	59.90	3433	71.90	3367	83.80	3305	95.80	3247	109.00
	1287	1450	4378	13.40	4249	26.70	4147	40.10	4059	53.40	3982	66.70	3911	80.10	3845	93.40	3783	108.00	3725	121.00
	1450	1450	4969	15.10	4839	30.10	4737	45.10	4650	60.20	4572	75.20	4501	90.20	4435	106.00	4373	121.00	4315	136.00

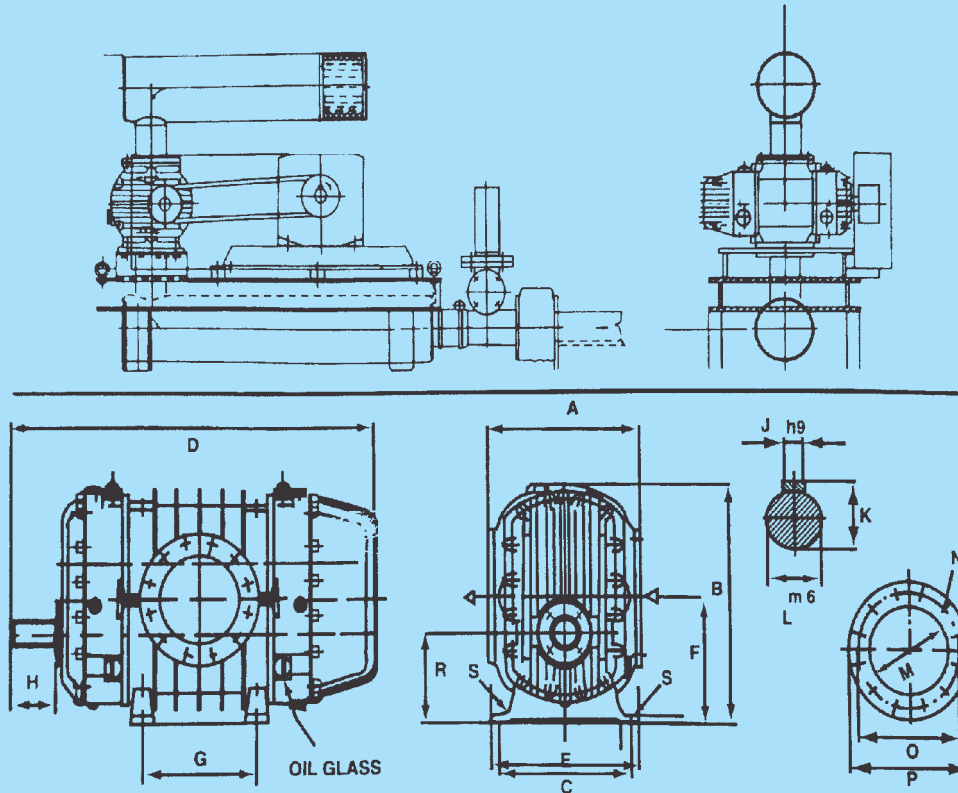
## TYPICAL APPLICATIONS FOR 'BVS' SERIES TWIN LOBE AIR COOLED COMPRESSOR

- WASTE WATER, EFFLUENT & SEWAGE TREATMENT
- CEMENT IND.
- SUGAR MILL
- POLLUTION CONTROL PLANT
- RMC PLANT (CEMENT/FLY ASH CONVEY FROM BLUKE TO SILO)
- PNEUMATIC CONVEYING
- GAS BOOSTER / VACUUM BOOSTER
- CHEMICAL / REFINERIES PLANT

## SPECIAL FEATURES

1. 100% Oil Free Air
2. Air Cooled Design
3. Continuous Air Flow
4. Special Sealing Arrangement
5. Suitable for Gases other than Air
6. 'V' Belt Drive can be used for Complete range
7. Shaft Centre Heights to Suit Motor as per IEC Frame Sizes
8. Air Flow can be Vertical or Horizontal with adjustable Feet

## AIR BLOWER WITH STANDARD ACCESSORIES



### BLOWER DIMENSIONS

Type	A	B	C	D	E	F	G	H	J	K	L	M	N	O	P	R	S
BVS-100	224	274	220	514	180	148	100	60	8	28	25	70	4 x M12	130	160	112	14
BVS-120	264	320	240	602	205	174	120	80	8	33	30	80	4 x M16	150	190	132	14
BVS-140	280	337	260	644	220	180	140	80	10	38.5	35	100	4 x M16	170	210	132	18
BVS-160	320	400	300	707	260	214	170	80	10	41.5	38	125	8 x M16	200	240	160	18
BVS-190	360	448	340	820	300	243	200	110	12	45.5	42	150	8 x M16	225	265	180	18
BVS-200	360	448	440	920	300	243	200	110	12	45.5	42	150	8 x M16	225	265	180	18
BVS-220	400	508	380	905	340	274	240	110	14	52	48	175	8 x M16	255	295	200	18
BVS-240	400	508	380	1005	340	274	240	110	14	52	48	175	8 x M16	255	295	200	18
BVS-260	450	595	430	1010	380	311	295	140	18	64	60	200	8 x M16	280	320	225	18
BVS-300	500	675	480	1165	430	350	360	140	20	74.5	70	250	12 x M16	335	375	250	22
BVS-360	630	770	580	1330	520	400	440	170	22	85	80	300	12 x M20	395	440	280	22